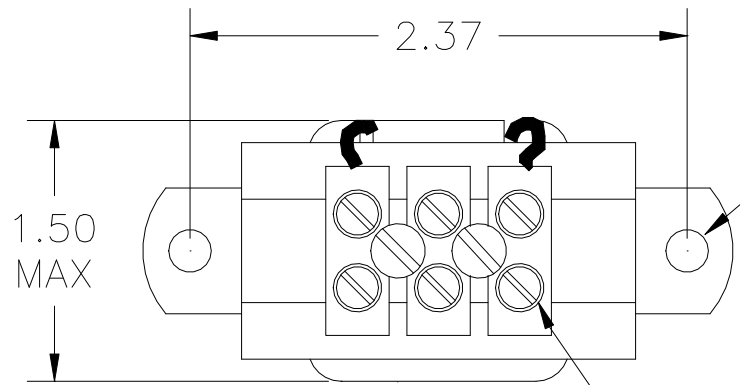


INDUCTANCE	LOSSES	WEIGHT
35 mH	3 Watts	1 Lbs

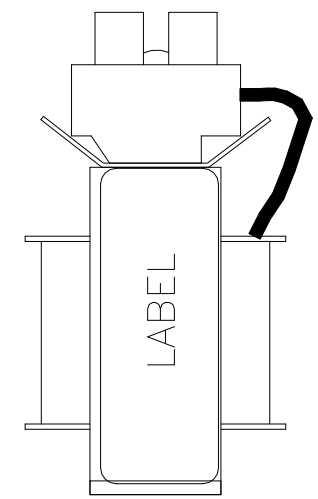
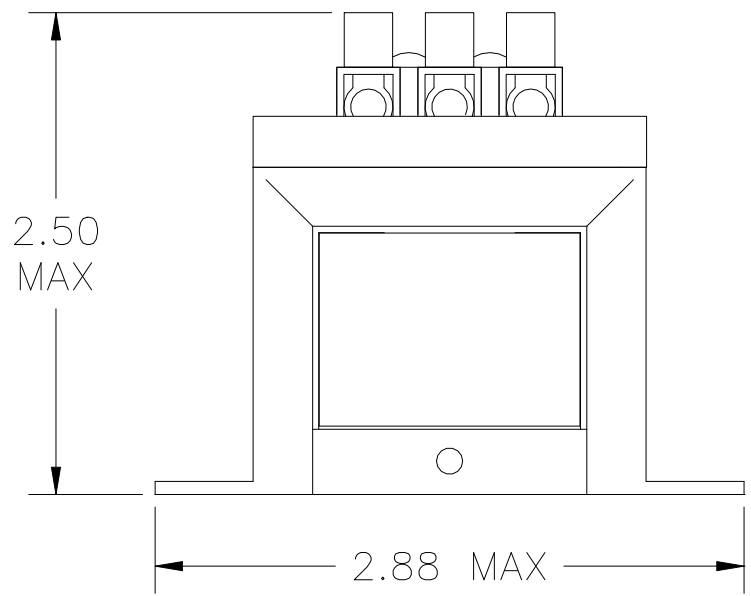
NO.	CHANGE DESCRIPTION	BY	DATE	C'K'D
04	REVISED PER ECR 7175, ADDED CD	RS	8/23/10	



0.187 DIA  
(2 HOLES)

WIRE RANGE: 22-14 AWG

CAUTION-TERMINAL SCREW TIGHTENING  
TORQUE: 4.50 in-lb MAX.



FILE:

UNLESS OTHERWISE SPECIFIED, DIMENSIONS ARE IN INCHES [mm] AND TOLERANCES ARE:

DECI.                      FRAC.  
  
ANGLES                      DRILLED HOLES

PART NAME:	DC LINK CHOKE
DESCRIPTION:	OUTLINE DIMENSION
FINISH:	

MTE CORPORATION MEMONONEE FALLS, WISCONSIN			
CD 1RB001			REV. 04
SCALE	NTS	DATE	10/10/94
REF.	DR. BY	SJW	APP'D